

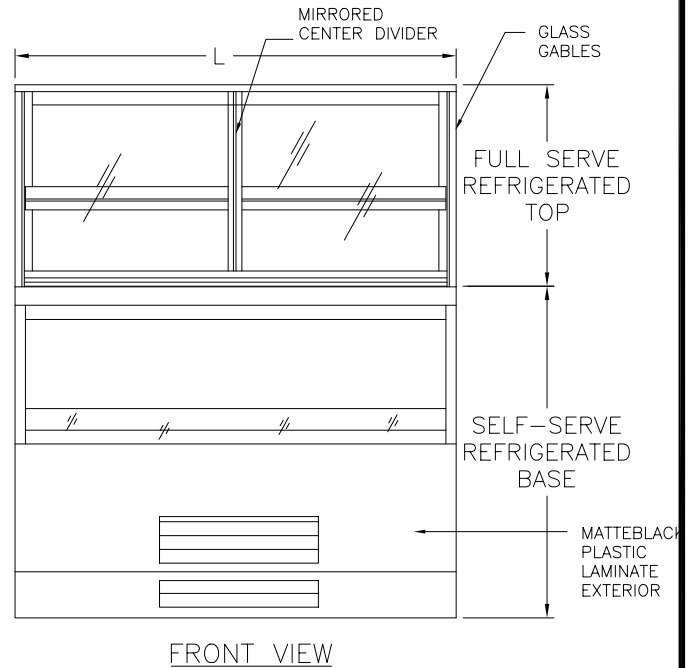
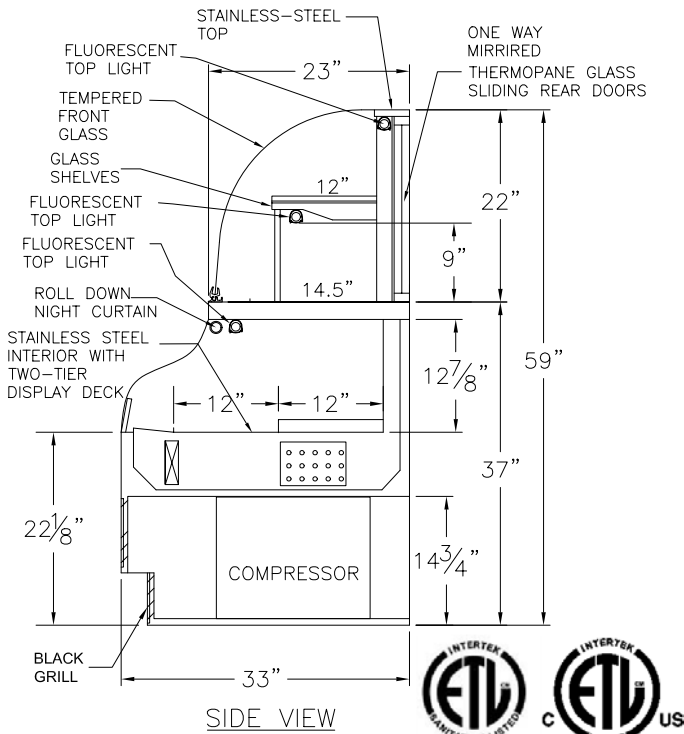
PROJECT:

QTY:

ITEM No.

# AFD TRIPLE ZONE GRAB N' GO COMBO

SELF SERVE REFRIGERATED BELOW DUAL ZONE FULL SERVE ABOVE DISPLAY CASE



\* DIRECT DRAIN RECOMMENDED.



## SPECIFICATIONS

DIMENSIONS	CVIIC 3659RV	CVIIC 4859RV	CVIIC 6059RV	CVIIC 7159RV	MODEL No.	MODEL No.
Length (in)	36"	48"	60"	71"	L	L
Depth (in)	33"	33"	33"	33"	D	D
Height (in)	59"	59"	59"	59"	H	H
ELECTRICAL						
Voltage	120	120	120/208	120/208	120	120
Amperes (Compressor and Light)	10.5	10.5	10.6	11.1	Amps.	Amps.
Amperes (Elect. Cond. Pan needs separate circuit)	8.3	8.3	8.3	8.3	Amps.	Amps.
Power Cord	8 ft.	8 ft.	8 ft.	8 ft.	8 ft.	8 ft.

## NOTES

All Specifications subject to change without notice.

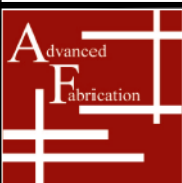
\*\*Cases can be manufactured to custom sizes and widths for an additional fee. Ask your consultant for more information.

\*\*Custom colors are also available.

\*\* All units are designed to operate under normal store conditions of 24°C (75°F) with 50% relative humidity, and maintain the temperature between 35°F to 40°F.

\*\*Condensation on glass may occur in Hot/Humid conditions.AFD is not responsible for any consequential damages as a result.

\*\*AFDWARRANTY DOES NOT INCLUDE PRODUCT LOSS OR CONSEQUENTIAL DAMAGES HOWEVER CAUSED.



**Advanced Fabrication & Design**  
 866-512-6747 p  
 760-542-6403 f  
 www.advanced-fabrication.com

DR. BY:

**JIM**

DATE:

**3/12/09**

FILE:

**AFDGNGR/DFS**