

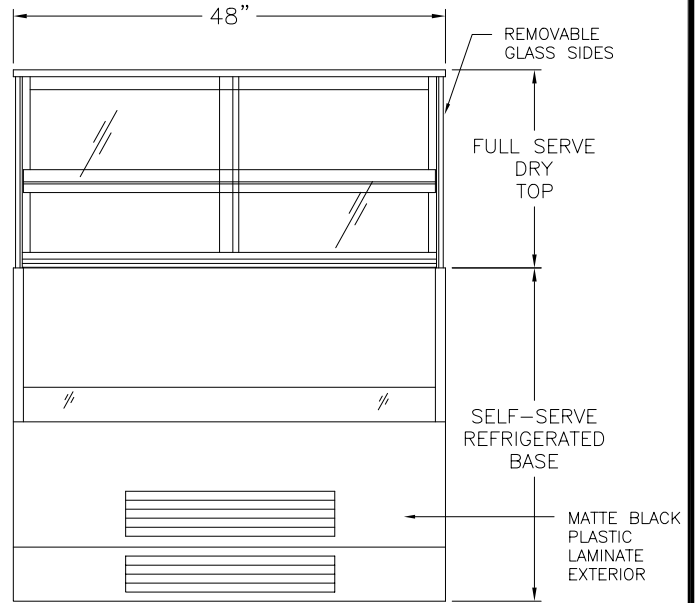
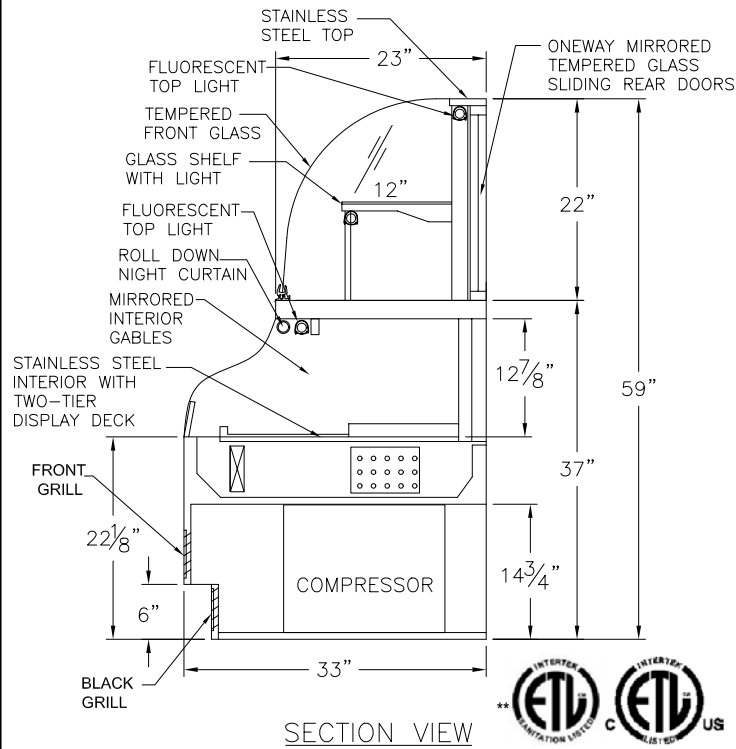
PROJECT:

QTY:

ITEM No.

AFD GRAB N' GO COMBO

SELF SERVE REFRIGERATED BELOW / DRY FULL SERVE ABOVE DISPLAY CASE



*DRAIN RECOMMENDED.



SPECIFICATIONS

DIMENSIONS	CVIIC 3659	CVIIC 4859	CVIIC 6059	CVIIC 7159	MODEL No.	MODEL No.
Length (in)	36"	48"	60"	71"	L	L
Depth (in)	33"	33"	33"	33"	D	D
Height (in)	59"	59"	59"	59"	H	H
ELECTRICAL						
Voltage	120	120	120	120	120	120
Amperes (Compressor and Light)	10.5	10.5	10.6	11.1	Amps.	Amps.
Amperes (Elect. Cond. Pan needs separate circuit)	8.4	8.4	8.4	8.4	Amps.	Amps.
Power Cord	8 ft.	8 ft.	8 ft.	8 ft.	8 ft.	8 ft.

NOTES

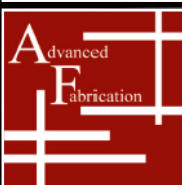
All Specifications subject to change without notice.

**Cases can be manufactured to custom sizes and widths for an additional fee. Ask your consultant for more information.
**Custom colors are also available.

** All units are designed to operate under normal store conditions of 24°C (75°F) with 50% relative humidity, and maintain the temperature between 35°F to 40°F.

**Condensation on glass may occur in Hot/Humid conditions. AFD is not responsible for any consequential damages as a result.

**AFDWARRANTY DOES NOT INCLUDE PRODUCT LOSS OR CONSEQUENTIAL DAMAGES HOWEVER CAUSED.



Advanced Fabrication & Design
866-512-6747 p
760-542-6403 f
www.advanced-fabrication.com

DR. BY:
JIM

DATE:
1/26/09

FILE:
AFDSSR/FSD